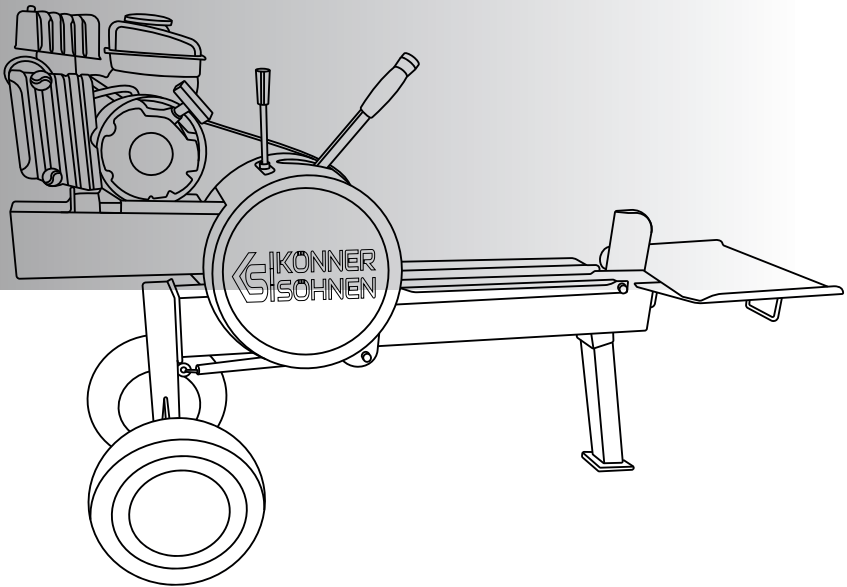
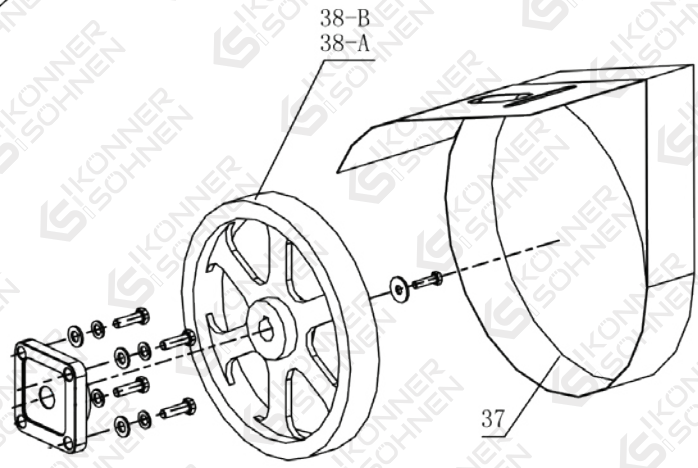
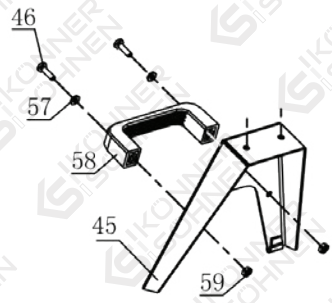
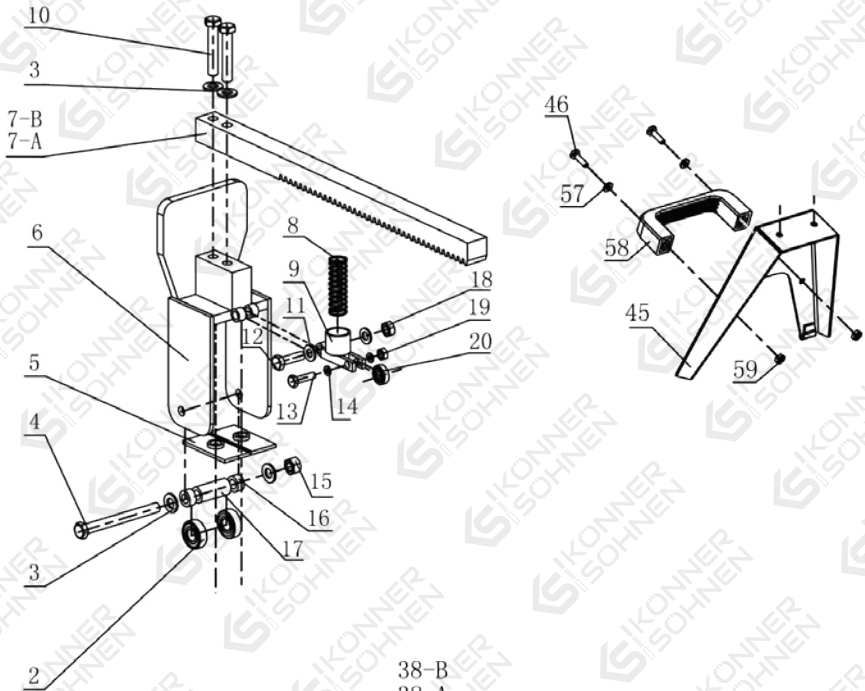


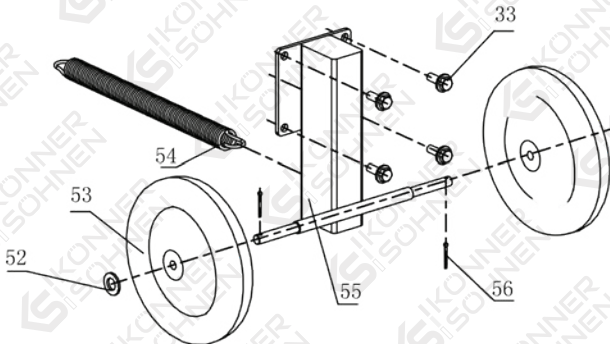
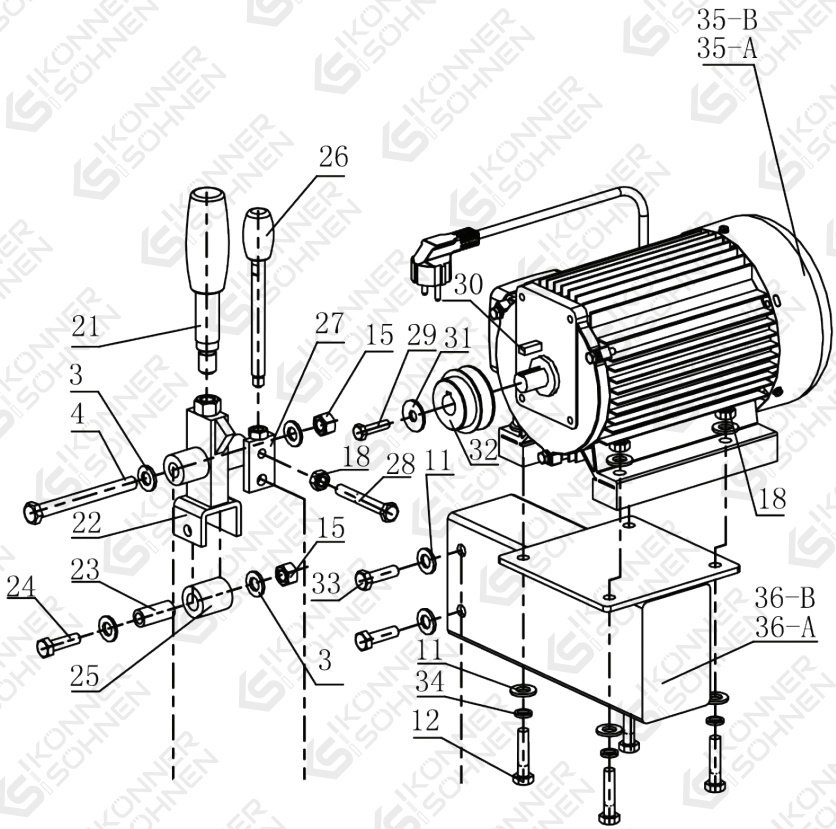
## KINETIC LOG SPLITTER EXPLODED VIEW

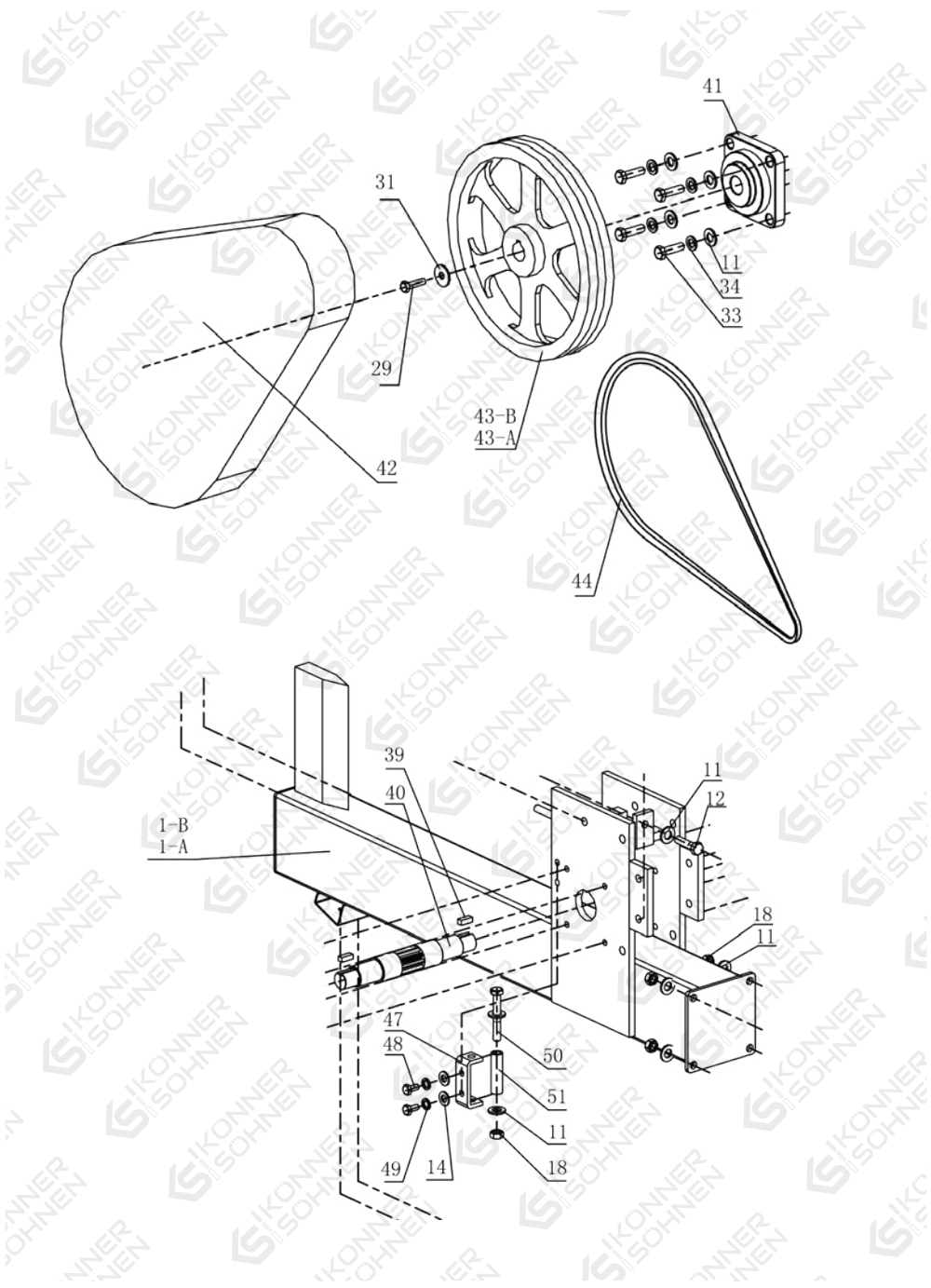
KS 15TKG 52/35



TRADITIONELLE DEUTSCHE QUALITÄT







No	REF. No	DESCRIPTION	QTY
1	KS 15TKG 52/35-1	Body	1
2	KS 15TKG 52/35-2	Bearing 6201	2
3	KS 15TKG 52/35-3	Flat Washer $\phi$ 12	8
4	KS 15TKG 52/35-4	Hex Bolt M12x115	2
5	KS 15TKG 52/35-5	Nylon slider	1
6	KS 15TKG 52/35-6	Pusher	1
7	KS 15TKG 52/35-7	Rack	1
8	KS 15TKG 52/35-8	Spring	1
9	KS 15TKG 52/35-9	Restoration device	1
10	KS 15TKG 52/35-10	Hex Bolt M12x45	2
11	KS 15TKG 52/35-11	Flat Washer $\phi$ 10	36
12	KS 15TKG 52/35-12	Hex Bolt M10x45	6
13	KS 15TKG 52/35-13	Hex Bolt M8x35	1
14	KS 15TKG 52/35-14	Flat Washer $\phi$ 8	8
15	KS 15TKG 52/35-15	Screw M12	3
16	KS 15TKG 52/35-16	Short Bushing	2
17	KS 15TKG 52/35-17	Long Busher	1
18	KS 15TKG 52/35-18	Screw M10	12
19	KS 15TKG 52/35-19	Screw M8	1

No	REF. No	DESCRIPTION	QTY
20	KS 15TKG 52/35-20	Bearing 628	1
21	KS 15TKG 52/35-21	Splitting handle	1
22	KS 15TKG 52/35-22	Press device	1
23	KS 15TKG 52/35-23	Sleeve	1
24	KS 15TKG 52/35-24	Hex Bolt M12x65	1
25	KS 15TKG 52/35-25	Roller	1
26	KS 15TKG 52/35-26	Lock-Unlock handle	1
27	KS 15TKG 52/35-27	Lock-Unlock device	1
28	KS 15TKG 52/35-28	Hex Bolt M10x80	1
29	KS 15TKG 52/35-29	Hex bolt M8x30	5
30	KS 15TKG 52/35-30	Key 6x6	1
31	KS 15TKG 52/35-31	Flat washer $\phi$ 8	3
32	KS 15TKG 52/35-32	Engine pulley	1
33	KS 15TKG 52/35-33	Hex bolt M10x30	16
34	KS 15TKG 52/35-34	Spring washer $\phi$ 10	12
35	KS 15TKG 52/35-35	Engine	1
36	KS 15TKG 52/35-36	Engine support	1
37	KS 15TKG 52/35-37	Flywheel guard	1
38	KS 15TKG 52/35-38	Flywheel	1

No	REF. No	DESCRIPTION	QTY
39	KS 15TKG 52/35-39	Key 8x7	2
40	KS 15TKG 52/35-40	Pinion driver	1
41	KS 15TKG 52/35-41	Bearing housing	2
42	KS 15TKG 52/35-42	Pulley guard	1
43	KS 15TKG 52/35-43	Flywheel for belt	1
44	KS 15TKG 52/35-44	V belt	1
45	KS 15TKG 52/35-45	Outrigger leg	1
46	KS 15TKG 52/35-46	Hex bolt M6x16	1
47	KS 15TKG 52/35-47	Side roller fitting	2
48	KS 15TKG 52/35-48	Hex bolt M8x15	4
49	KS 15TKG 52/35-49	Spring washerφ8	6
50	KS 15TKG 52/35-50	Hex bolt M10x90	2
51	KS 15TKG 52/35-51	Side roller	2
52	KS 15TKG 52/35-52	Flat washer φ12	2
53	KS 15TKG 52/35-53	Wheel	2
54	KS 15TKG 52/35-54	Tension spring	1
55	KS 15TKG 52/35-55	Wheel bracket	1
56	KS 15TKG 52/35-56	Cotter pinφ3.2	2
57	KS 15TKG 52/35-57	Front plate	1

## **CONTACTS**

**Germany**

**ks-power.de**

**info@dimaxgroup.de**

**Poland**

**ks-power.pl**

**info.pl@dimaxgroup.de**

**Ukraine**

**ks-power.com.ua**

**sales@ks-power.com.ua**

**Russia**

**ks-power.ru**

**info@ks-power.ru**